

meas. no. 01L1585
meas. date 6/26/2022
operator LightLab.

meas. conditions
 ambient temperature 25.0 °C
 voltage 230.00 V
 current 1.688 A
 power consumption 293.5 W
 Leistungsfaktor 0.686

meas. lamps lum. flux [lm]
 absolute measurement 32872.5 lm
 luminous efficacy 112 lm/w

measurement results
 flux of luminaire 32872.5 lm
 classification / DIN A50
 lower flux fraction 100.00 %
 upper flux fraction 0.00 %
 intensity maximum 11083.6 cd
 in C-plane 85.0 °
 at gamma 2.5 °
 half value angle C0 : 47.0 °
 C90 : 47.2 °
 C180 : 48.9 °
 C270 : 47.6 °
 tenth value angle C0 : 68.5 °
 C90 : 64.7 °
 C180 : 70.1 °
 C270 : 65.7 °

article code
 Azar Teyf Co.

lamp(s)
 1 x LED
 total flux 32873 lm
 LOR 100 %
 tilt angle 0.0 °

dimensions of luminaire

length 415 mm
 width 360 mm
 height 100 mm

dimensions of luminous area

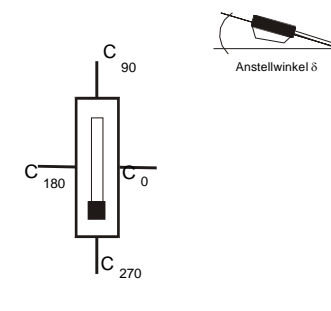
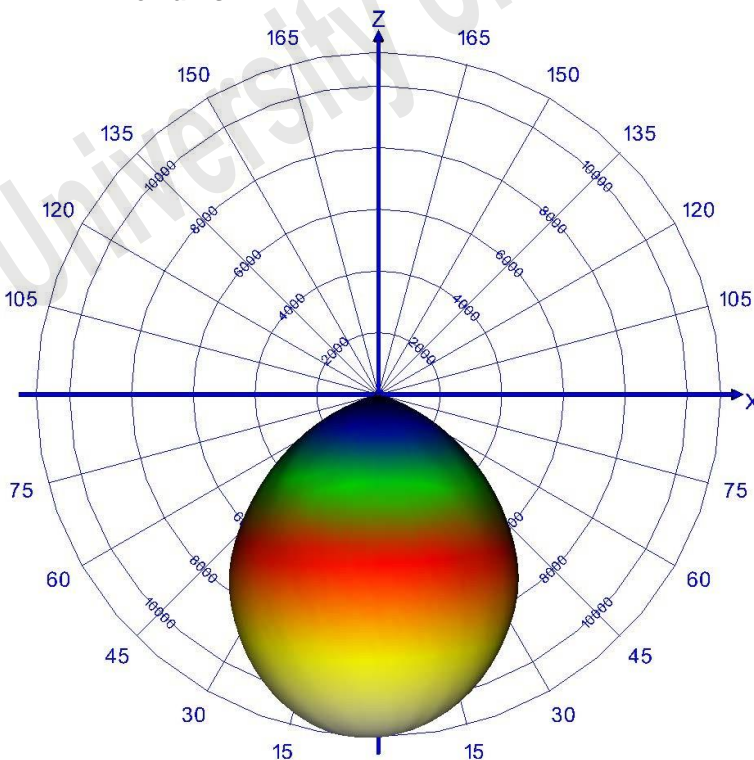
length 210 mm
 width 290 mm
 height C0 80 mm
 height C90 80 mm
 height C180 80 mm
 height C270 80 mm

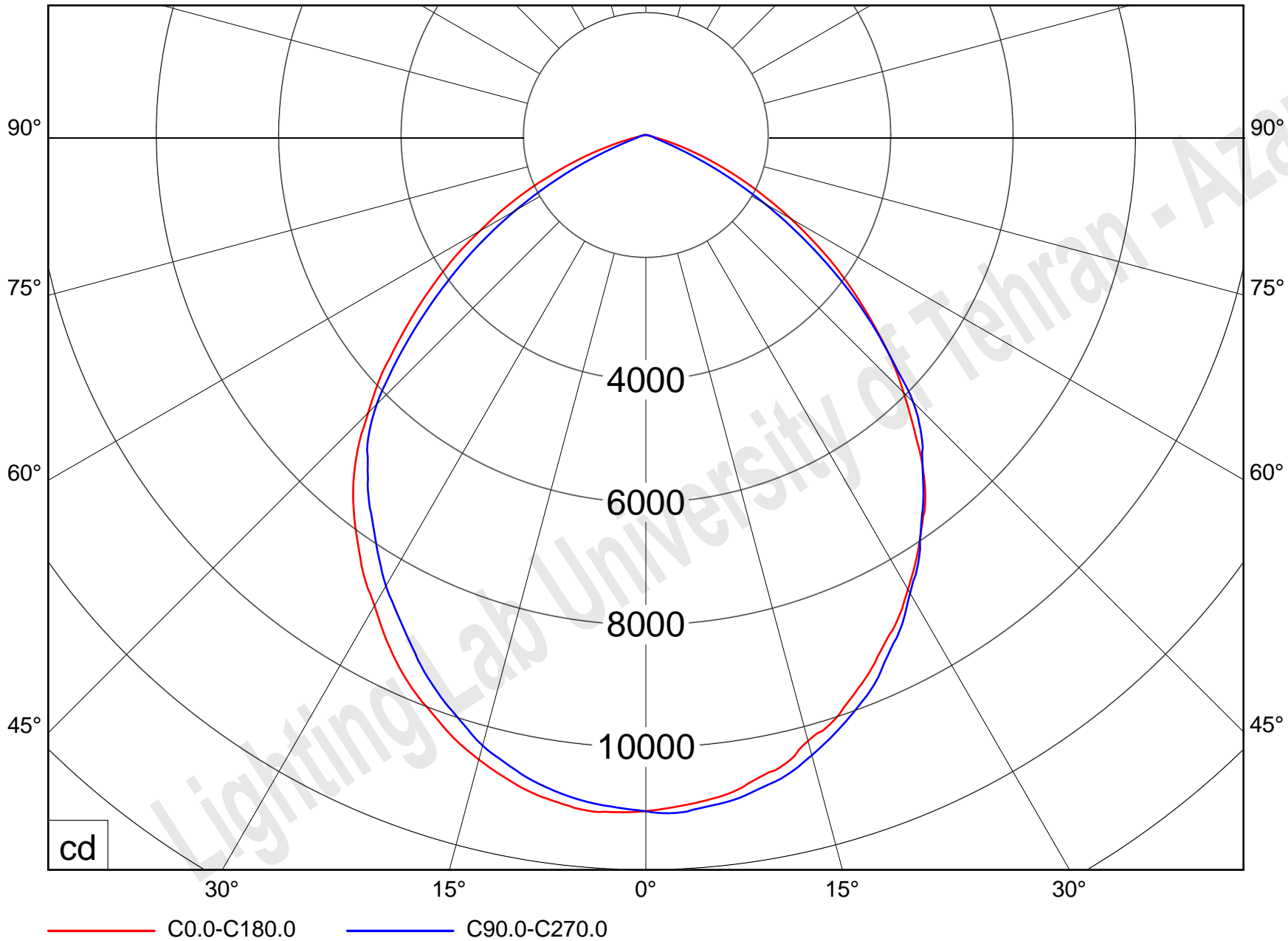
reflector

cover

variant

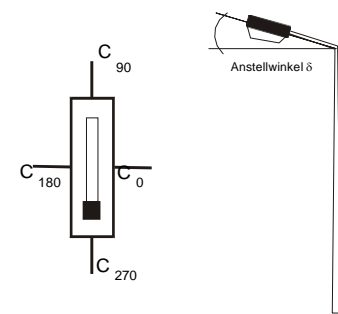
remarks





article code
Azar Teyf Co.

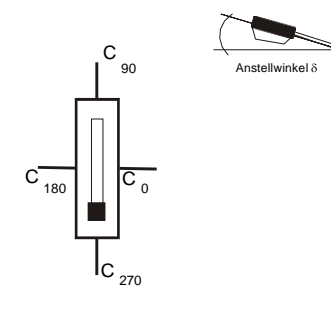
lamp(s)
1 x LED
total flux
32873 lm
LOR
100 %
tilt angle
0.0 °



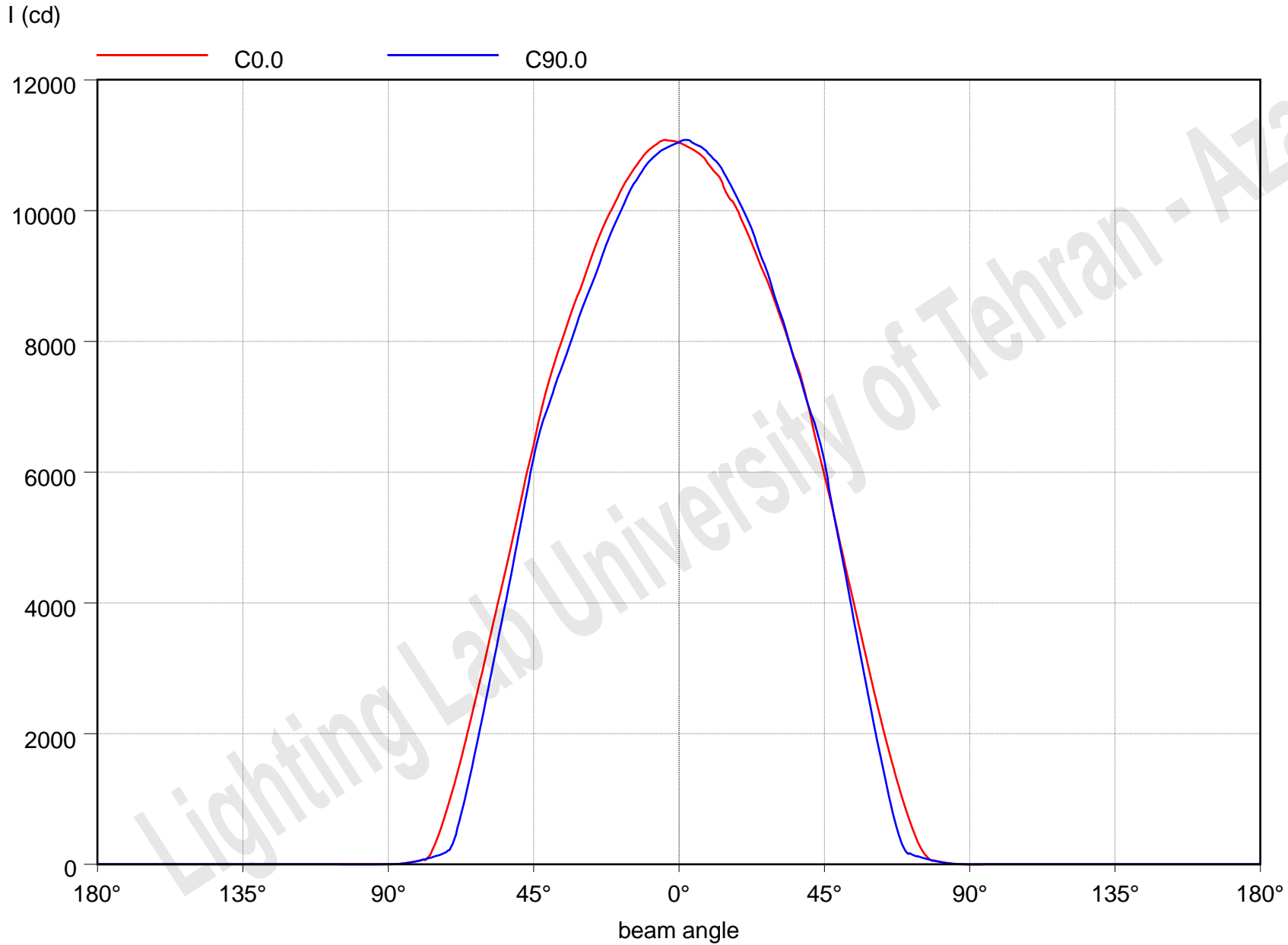
distance [m]	cone diameter [m]	E [lx]
2.0	4.29	E(0°) 2761 E(C0) 47.0° 948
4.0	8.58	E(0°) 690 E(C0) 47.0° 237
6.0	12.87	E(0°) 307 E(C0) 47.0° 105
8.0	17.16	E(0°) 173 E(C0) 47.0° 59
10.0	21.45	E(0°) 110 E(C0) 47.0° 38

article code
Azar Teyf Co.

lamp(s)
1 x LED
total flux
32873 lm
LOR
100 %
tilt angle
0.0 °

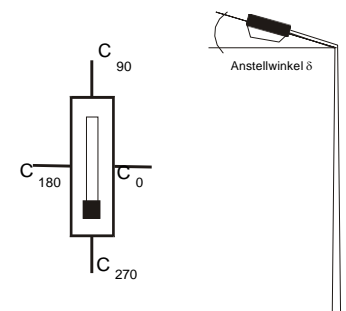


half value angle 94.0°



article code
Azar Teyf Co.

lamp(s)
1 x LED
total flux
32873 lm
LOR
100 %
tilt angle
0.0 °



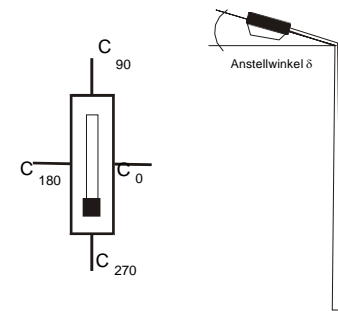
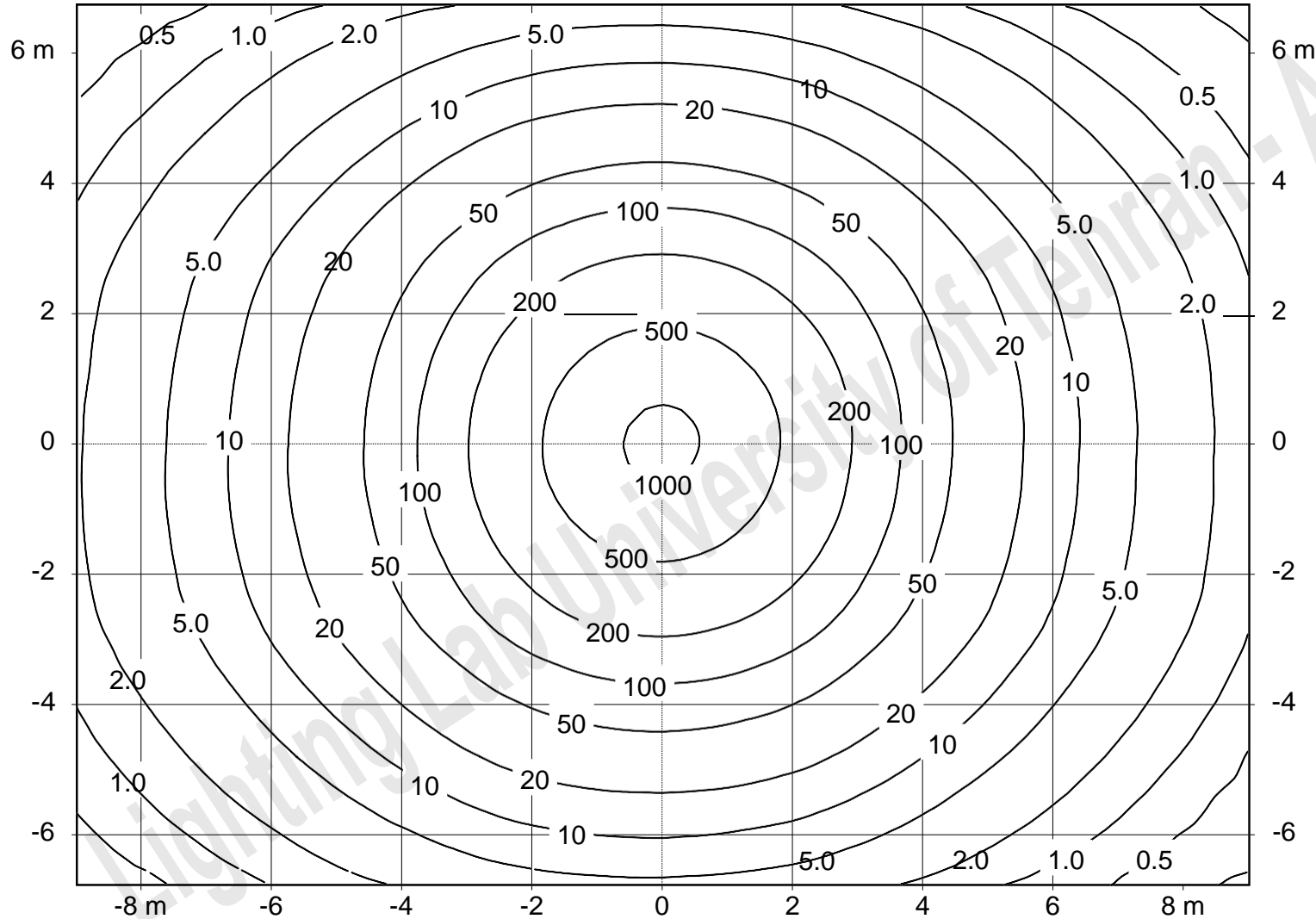
tilt angle : 0.0°
swivel angle : 0.0°

mounting height : 2.80 m
orientation : 0.0°

light loss factor : 0.8

article code
Azar Teyf Co.

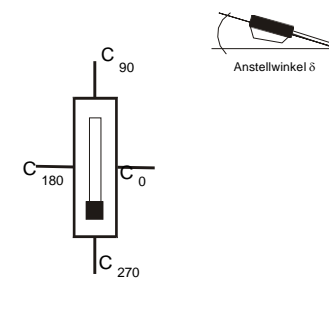
lamp(s)
1 x LED
total flux
32873 lm
LOR
100 %
tilt angle
0.0°



gamma / °	C 0	C 15	C 30	C 45	C 60	C 75	C 90	C 105	C 120	C 135	C 150	C 165	C 180	C 195	C 210	C 225	C 240	C 255
0.0	469.4	469.4	469.4	469.4	469.4	469.4	469.4	469.4	469.4	469.4	469.4	469.4	469.4	469.4	469.4	469.4	469.4	469.4
2.5	466.8	468.0	469.3	470.0	470.5	470.9	471.0	470.8	470.5	470.3	470.6	470.7	470.5	470.3	469.8	469.0	468.1	467.5
5.0	464.0	466.7	468.1	469.2	469.2	469.0	468.3	468.5	468.0	467.6	468.2	469.5	470.7	470.1	469.0	467.9	466.9	465.9
7.5	460.0	463.6	465.4	465.5	465.6	465.6	465.5	465.3	464.7	463.9	464.1	465.2	467.3	467.2	466.6	464.2	462.7	461.9
10.0	452.9	459.3	460.2	460.1	459.8	460.0	460.3	460.0	460.2	459.8	459.5	459.8	462.9	462.6	460.8	459.5	457.0	455.6
12.5	447.1	451.7	452.2	452.8	453.1	453.6	454.6	454.4	455.0	453.7	453.8	453.3	456.3	456.4	454.0	452.3	451.0	449.9
15.0	435.4	444.0	444.0	444.7	445.8	446.1	445.6	446.9	447.0	447.2	446.4	445.9	448.6	449.4	446.3	444.9	442.1	440.1
17.5	428.0	433.6	434.3	434.5	435.5	435.6	435.7	436.6	436.8	437.9	437.3	437.1	440.0	440.4	438.2	435.6	432.3	429.4
20.0	416.2	423.6	422.9	424.4	424.2	425.0	424.9	425.8	427.0	427.9	427.9	426.6	429.2	430.8	427.9	424.8	421.4	418.0
22.5	404.4	410.4	411.0	412.0	411.9	412.3	413.4	414.4	415.5	417.1	416.5	416.3	418.8	419.5	416.4	413.6	409.7	405.5
25.0	390.9	397.6	398.7	398.9	398.9	397.8	398.0	400.0	402.9	404.8	405.1	404.1	406.5	408.5	404.0	399.5	396.5	392.2
27.5	378.9	384.3	384.1	384.2	383.7	383.9	384.2	386.0	388.6	390.6	391.7	390.7	392.2	394.1	391.1	386.1	381.6	378.6
30.0	364.1	369.8	369.9	368.5	369.3	368.0	367.0	369.8	372.6	376.5	377.4	377.2	377.0	379.4	376.8	371.6	367.7	363.0
32.5	349.5	354.5	353.8	353.4	351.8	351.0	351.9	353.4	356.9	360.8	362.3	361.9	363.8	365.8	361.3	356.4	351.9	348.7
35.0	333.7	338.6	337.3	336.4	334.0	333.3	333.0	336.7	340.3	344.3	346.3	346.7	348.1	349.3	345.2	339.8	336.4	334.0
37.5	318.8	322.7	320.4	319.1	315.2	315.0	316.4	317.7	322.5	326.5	329.6	329.8	332.7	333.7	328.4	323.5	320.2	319.6
40.0	298.6	305.1	304.4	300.4	298.0	297.6	298.8	301.6	305.6	309.4	313.2	315.3	315.8	317.7	311.7	306.8	305.6	304.0
42.5	275.2	281.0	286.8	282.0	280.1	282.4	283.3	285.4	286.2	290.2	297.1	297.3	296.0	298.6	294.7	289.6	288.9	288.9
45.0	253.4	258.5	263.3	264.1	263.1	262.9	262.5	267.3	268.5	271.7	276.6	273.3	272.6	275.1	277.5	272.8	272.8	269.3
47.5	231.8	234.3	238.6	244.8	244.1	235.8	232.7	240.8	252.0	253.6	252.9	249.6	250.5	252.9	254.9	256.2	256.5	242.6
50.0	208.1	210.2	214.3	223.1	217.2	208.8	205.6	212.4	226.9	234.8	230.6	226.7	225.4	231.4	232.0	238.5	229.5	215.9
52.5	184.7	187.2	191.1	199.4	190.0	180.1	178.1	185.1	198.9	212.4	207.1	203.4	201.9	207.2	209.0	217.4	203.5	189.7
55.0	162.4	164.0	167.6	171.2	164.5	152.3	149.4	157.3	171.6	186.5	183.2	179.1	178.8	183.2	187.1	189.5	176.6	161.9
57.5	138.7	142.3	144.7	142.6	135.4	124.6	122.2	129.4	143.9	156.9	159.8	156.7	156.5	159.2	164.4	160.6	149.9	136.1
60.0	116.4	118.6	122.8	114.6	107.2	98.0	95.0	102.5	116.2	127.3	136.6	134.6	132.9	136.5	141.8	133.1	123.1	110.1
62.5	94.2	96.0	98.3	87.7	80.2	71.7	69.2	75.5	87.6	99.6	114.3	111.5	111.2	114.3	118.9	105.7	96.5	84.9
65.0	74.1	74.9	74.1	63.7	55.0	48.0	44.8	50.8	62.3	74.0	88.3	90.1	89.2	92.8	93.4	80.4	71.0	60.2
67.5	54.9	55.3	51.7	41.8	33.0	26.0	23.0	28.8	39.1	51.1	64.4	69.0	68.0	72.1	68.4	57.2	46.9	37.1
70.0	37.3	37.8	32.9	24.7	15.4	10.8	9.3	11.5	19.5	32.1	43.2	49.1	48.5	52.6	46.3	36.7	26.0	16.4
72.5	22.3	22.8	18.1	11.5	6.3	5.7	6.1	6.2	8.0	16.6	25.7	31.5	31.1	34.5	28.2	19.8	10.0	7.6

article code
Azar Teyf Co.

lamp(s)
1 x LED
total flux
32873 lm
LOR
100 %
tilt angle
0.0 °



luminaire : FloodLight_LED_300W_6500K

file : FLOODLIGHT_LED_300W_6500K

gamma / °	C 270	C 285	C 300	C 315	C 330	C 345
0.0	469.4	469.4	469.4	469.4	469.4	469.4
2.5	467.2	466.6	465.9	465.6	465.7	466.0
5.0	464.8	464.2	463.2	462.6	462.4	462.5
7.5	460.5	459.6	458.6	457.4	456.9	457.3
10.0	454.9	453.6	452.6	451.3	450.6	450.3
12.5	447.0	446.1	444.0	443.6	442.7	442.0
15.0	438.6	436.6	435.2	434.2	433.2	433.5
17.5	426.9	425.6	425.3	424.7	423.5	423.1
20.0	415.5	414.0	413.9	412.7	413.0	411.7
22.5	402.7	401.0	400.8	400.9	400.6	399.2
25.0	388.0	389.2	387.5	387.8	387.4	387.4
27.5	374.2	373.9	372.4	373.0	373.8	374.3
30.0	361.1	359.6	357.7	357.8	359.2	360.0
32.5	345.8	343.5	342.3	342.7	343.4	345.6
35.0	330.3	329.0	327.2	325.5	328.4	330.3
37.5	316.4	313.4	310.6	310.3	312.2	315.5
40.0	300.5	299.8	295.5	293.2	295.6	297.9
42.5	285.4	284.4	280.1	276.4	279.7	275.3
45.0	264.2	263.4	263.7	260.4	258.2	251.1
47.5	237.1	237.9	245.2	243.7	235.6	229.3
50.0	209.7	211.9	220.6	224.6	211.2	206.5
52.5	182.4	185.1	193.6	201.5	188.9	184.0
55.0	156.4	158.7	167.6	172.8	166.8	160.9
57.5	130.1	132.4	140.5	144.1	145.6	139.0
60.0	104.1	106.3	113.7	116.5	124.9	117.5
62.5	78.7	80.7	86.8	91.5	101.7	97.1
65.0	54.0	56.2	61.8	68.3	77.7	76.5
67.5	32.0	34.0	40.2	47.1	54.9	57.1
70.0	13.4	14.9	21.6	29.4	36.2	39.7
72.5	7.0	7.1	8.4	15.4	21.0	24.1

article code

Azar Teyf Co.

lamp(s)

1 x LED

total flux

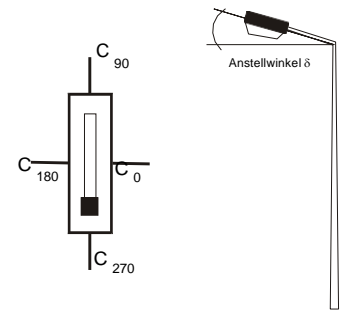
32873 lm

LOR

100 %

tilt angle

0.0 °

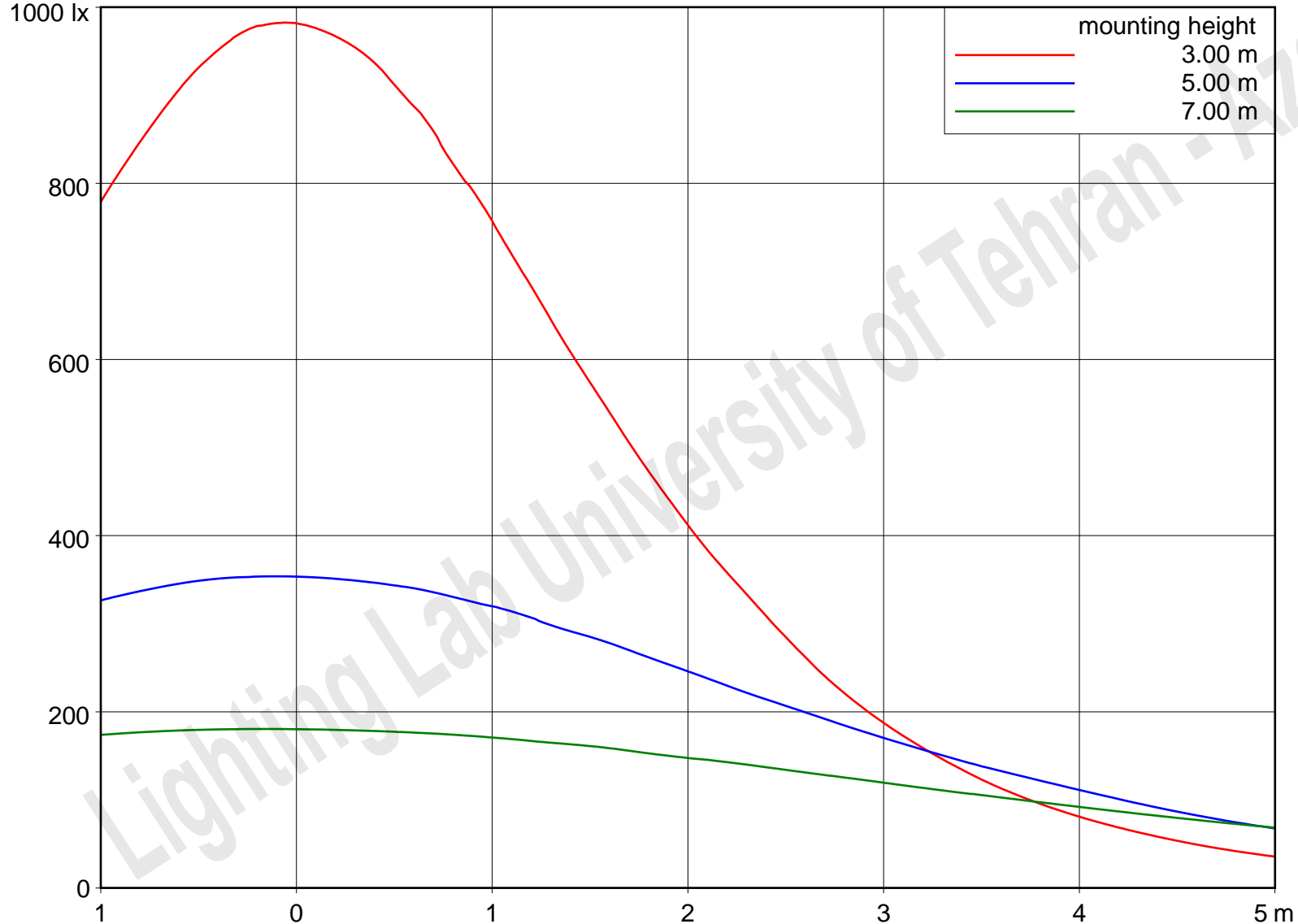


tilt angle : 0.0 °

swivel angle : 0.0 °

orientation : 0.0 °

light loss factor : 0.8



article code
Azar Teyf Co.

lamp(s)
1 x LED
total flux
32873 lm
LOR
100 %
tilt angle
0.0 °

