

meas. no. 00L1534
 meas. date 3/8/2022
 operator LightLab.

meas. conditions
 ambient temperature 25.0 °C
 voltage 230.00 V
 current 0.976 A
 power consumption 143.8 W
 Leistungsfaktor 0.640

meas. lamps lum. flux [lm]
 absolute measurement 14205.4 lm
 luminous efficacy 99 lm/w

measurement results
 flux of luminaire 14205.4 lm
 classification / DIN A40
 lower flux fraction 100.00 %
 upper flux fraction 0.00 %
 intensity maximum 5385.4 cd
 in C-plane 42.5 °
 at gamma 2.5 °
 half value angle C0 : 53.2 °
 C90 : 57.4 °
 C180 : 54.5 °
 C270 : 57.4 °
 tenth value angle C0 : 74.5 °
 C90 : 75.6 °
 C180 : 75.0 °
 C270 : 77.4 °

article code
 Azar Teyf Co.
 lamp(s)
 1 x LED
 total flux 14205 lm
 LOR
 100 %
 tilt angle 0.0 °

dimensions of luminaire
 length 700 mm
 width 290 mm
 height 70 mm

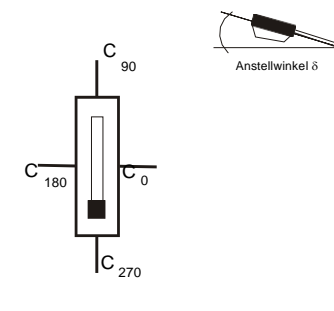
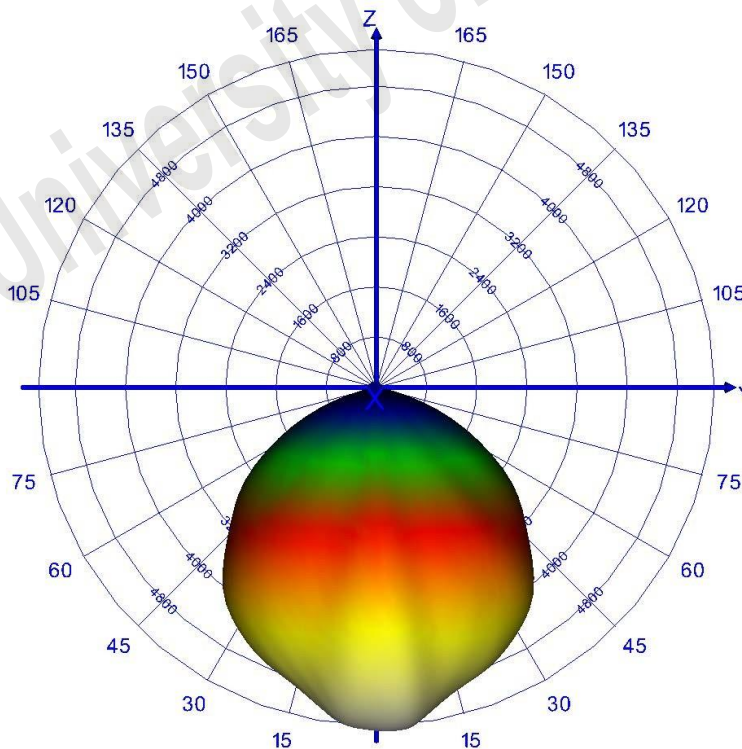
dimensions of luminous area
 length 270 mm
 width 180 mm
 height C0 20 mm
 height C90 20 mm
 height C180 20 mm
 height C270 20 mm

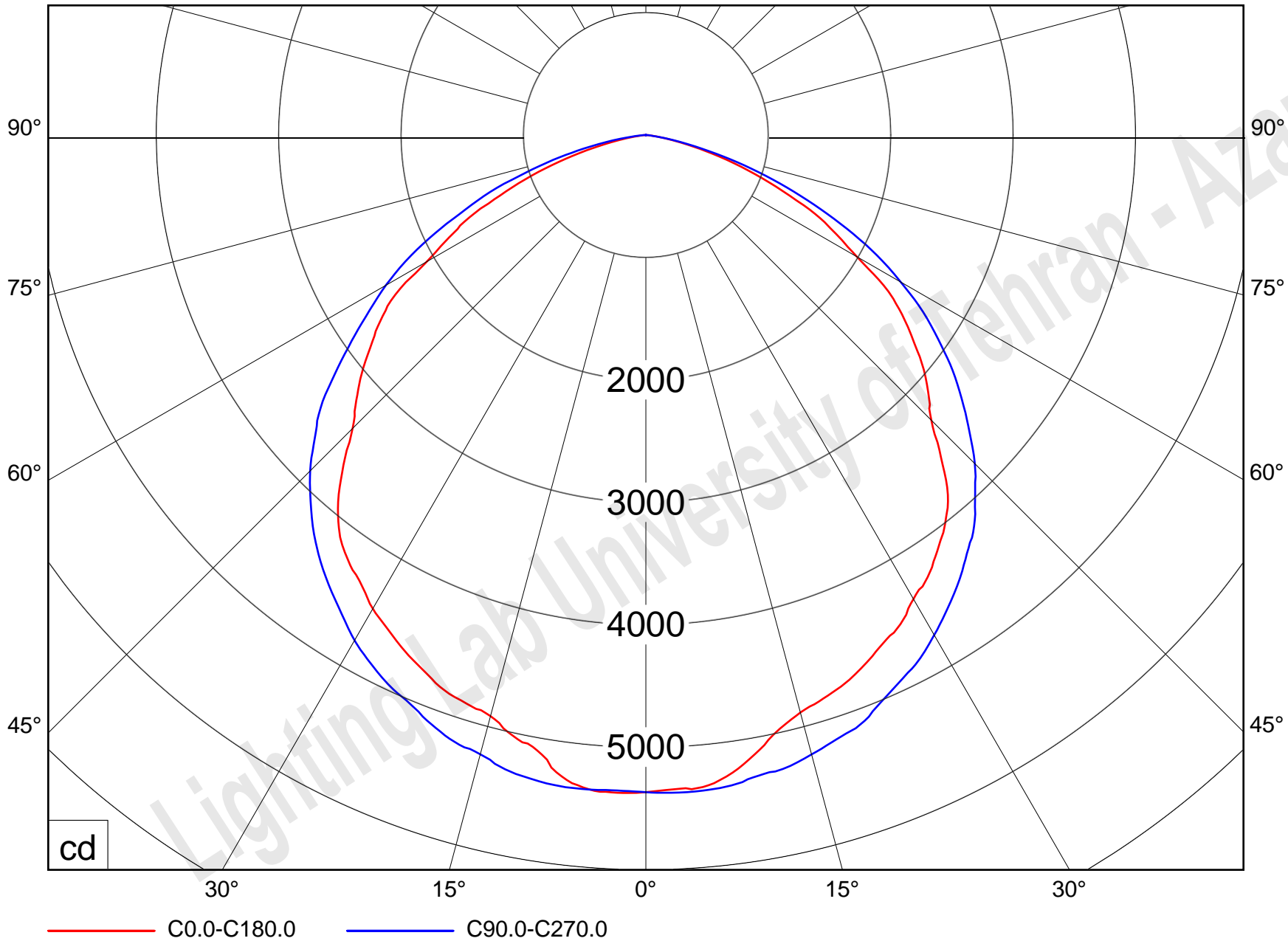
reflector

cover

variant

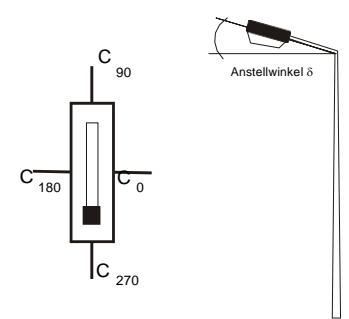
remarks





article code
Azar Teyf Co.

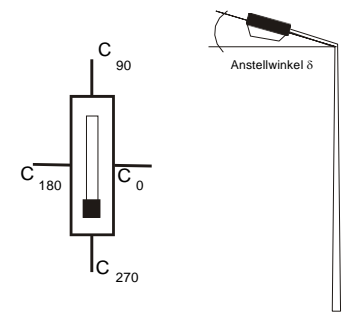
lamp(s)
1 x LED
total flux
14205 lm
LOR
100 %
tilt angle
0.0 °



distance [m]	cone diameter [m]	E [lx]
2.0	5.35	E(0°) 1342 E(C0) 53.2° 404
4.0	10.69	E(0°) 335 E(C0) 53.2° 101
6.0	16.04	E(0°) 149 E(C0) 53.2° 45
8.0	21.39	E(0°) 84 E(C0) 53.2° 25
10.0	26.74	E(0°) 54 E(C0) 53.2° 16

article code
Azar Teyf Co.

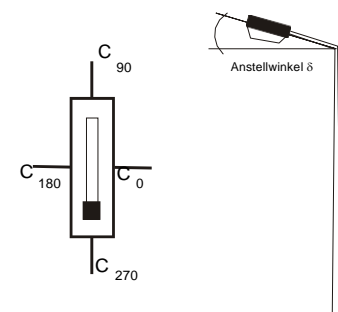
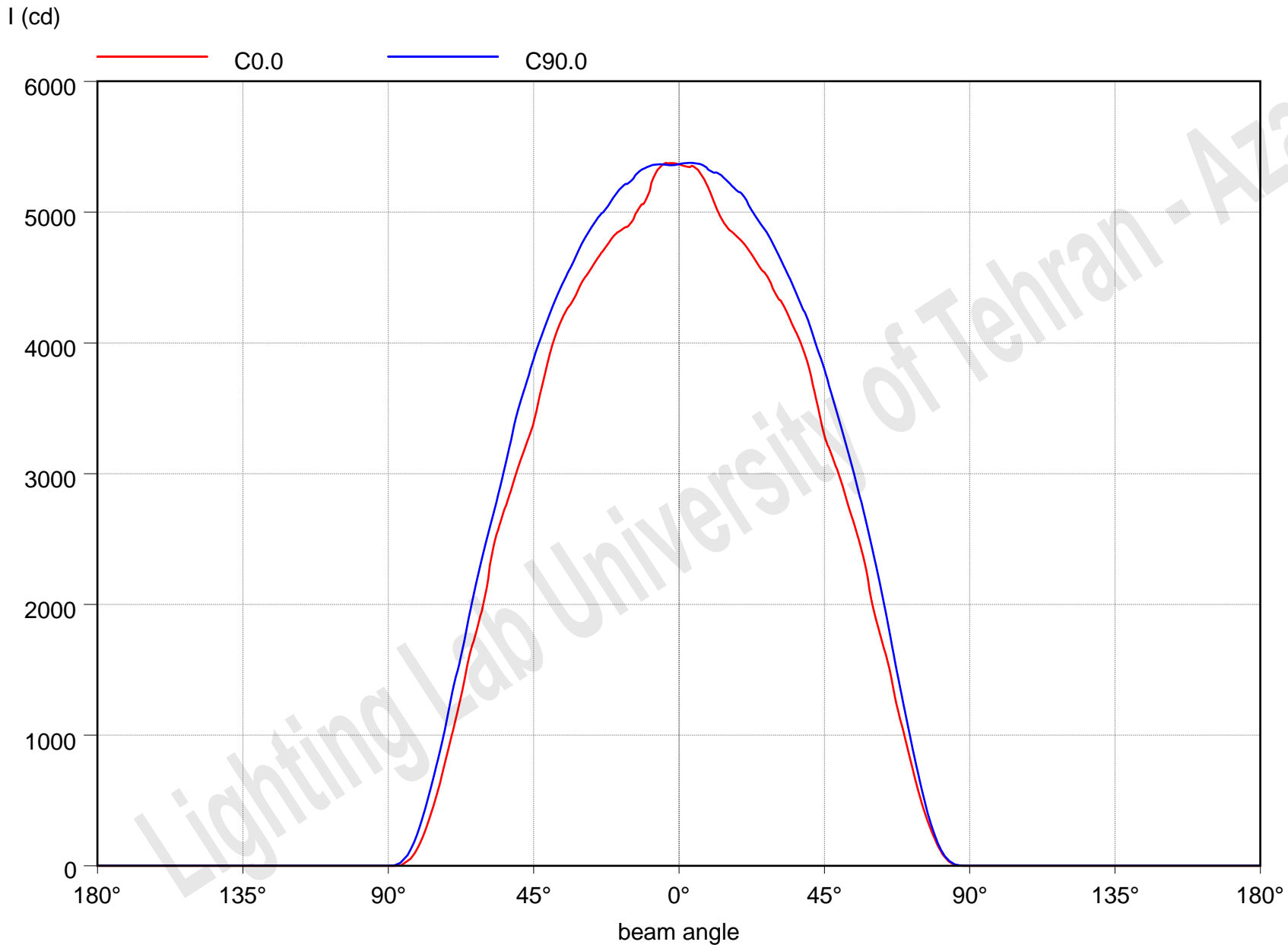
lamp(s)
1 x LED
total flux
14205 lm
LOR
100 %
tilt angle
0.0 °



half value angle 106.4°

article code
Azar Teyf Co.

lamp(s)
1 x LED
total flux
14205 lm
LOR
100 %
tilt angle
0.0 °



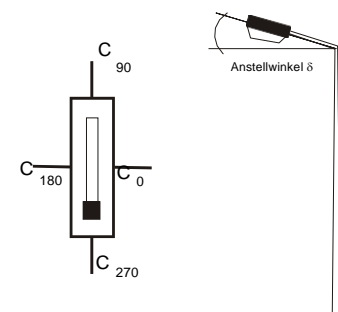
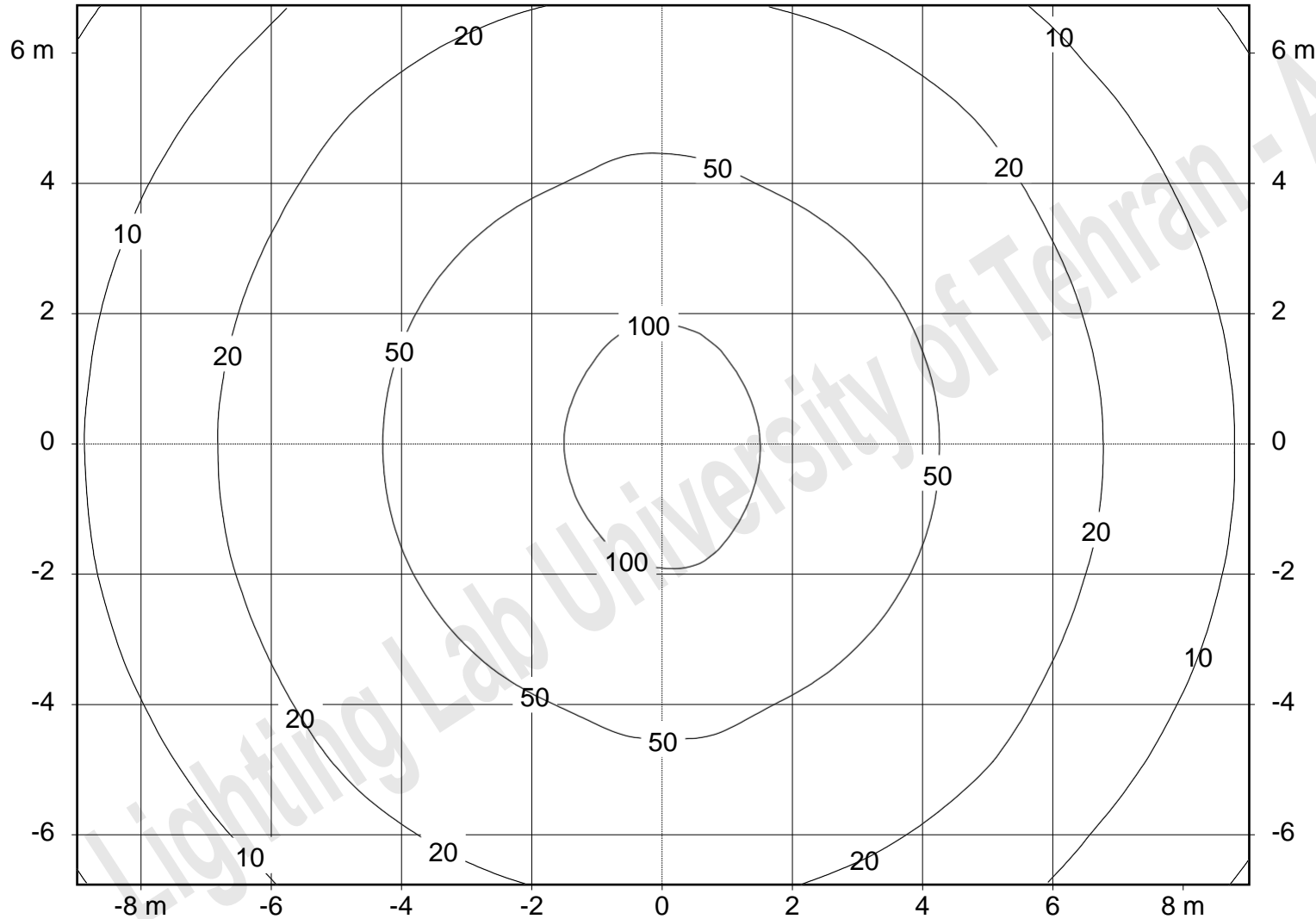
tilt angle : 0.0°
swivel angle : 0.0°

mounting height : 6.00 m
orientation : 0.0°

light loss factor : 0.8

article code
Azar Teyf Co.

lamp(s)
1 x LED
total flux
14205 lm
LOR
100 %
tilt angle
0.0°

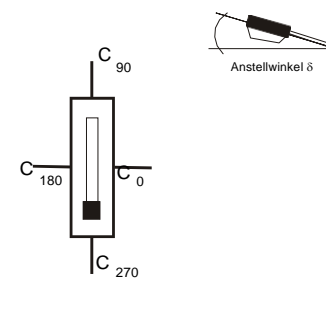


file : STREETLIGHT_LED_150W_6500K

gamma / °	C 0	C 15	C 30	C 45	C 60	C 75	C 90	C 105	C 120	C 135	C 150	C 165	C 180	C 195	C 210	C 225	C 240	C 255	
0.0	377.8	377.8	377.8	377.8	377.8	377.8	377.8	377.8	377.8	377.8	377.8	377.8	377.8	377.8	377.8	377.8	377.8	377.8	377.8
2.5	376.5	376.6	376.9	377.2	377.7	378.2	378.4	378.6	378.9	379.1	379.0	378.6	378.5	378.4	378.2	377.7	377.5	377.4	377.4
5.0	376.3	376.2	376.0	376.4	376.7	377.3	378.3	378.8	378.9	379.0	378.5	378.1	377.6	376.8	377.6	377.6	377.5	377.6	377.6
7.5	370.7	371.7	373.8	374.0	374.5	375.5	377.2	377.7	378.0	378.0	376.5	374.8	372.6	371.9	372.4	373.5	375.3	376.5	376.9
10.0	361.4	362.0	364.9	369.6	371.1	373.3	374.0	376.0	375.2	371.6	366.6	362.8	359.4	362.4	365.1	370.1	373.5	374.6	374.6
12.5	350.7	351.6	354.0	360.5	367.4	370.1	372.5	373.6	371.4	363.3	356.5	353.3	353.7	352.0	355.5	361.5	369.4	372.0	372.0
15.0	343.7	344.3	345.4	350.9	361.4	365.4	368.7	369.9	365.0	353.5	348.5	347.0	345.8	346.4	348.0	352.5	362.8	368.4	368.4
17.5	339.7	338.5	338.5	341.4	352.8	361.0	364.3	365.9	356.6	345.7	342.9	344.0	342.8	343.5	342.9	344.5	354.5	364.0	364.0
20.0	335.4	334.8	333.9	333.6	342.2	355.4	360.8	360.3	346.4	339.3	339.7	338.4	339.6	338.1	338.3	338.8	345.5	359.0	359.0
22.5	329.3	328.8	327.9	328.6	332.0	348.3	353.1	353.4	337.3	334.0	333.5	333.6	333.5	333.5	333.6	334.1	336.2	352.0	352.0
25.0	322.5	322.2	322.4	321.7	324.3	340.9	346.4	346.2	328.8	327.3	327.6	328.0	327.6	328.1	327.3	328.8	328.9	344.6	344.6
27.5	317.0	316.7	316.2	314.3	316.1	330.6	340.2	337.8	321.2	321.1	321.9	321.5	320.8	321.1	321.4	322.2	321.9	335.7	335.7
30.0	307.8	308.9	308.3	307.6	308.1	322.2	331.8	327.0	313.9	313.9	313.8	313.6	314.3	316.1	315.3	314.6	313.7	327.3	327.3
32.5	301.5	300.6	299.9	300.3	300.7	311.0	322.9	316.8	305.9	305.2	305.7	307.0	305.4	306.4	306.0	306.3	306.3	315.2	315.2
35.0	292.0	290.4	291.0	290.9	290.0	298.6	313.7	303.3	296.6	296.4	296.6	296.6	298.6	297.1	297.7	298.6	298.3	304.5	304.5
37.5	282.5	281.5	281.5	280.2	281.2	286.3	303.4	290.5	287.0	288.3	288.3	288.6	289.2	288.6	289.0	289.6	289.5	292.9	292.9
40.0	270.0	271.0	271.0	270.6	270.2	273.0	293.6	279.3	276.5	276.8	277.1	277.8	275.3	278.4	278.7	280.5	280.2	280.5	280.5
42.5	251.3	253.4	259.3	259.5	259.8	261.4	280.3	265.8	265.6	265.5	266.3	260.0	257.4	262.2	268.4	268.1	268.6	268.4	268.4
45.0	232.2	232.2	242.6	248.0	247.5	248.1	267.6	253.0	252.9	253.7	249.4	240.0	238.6	241.2	252.6	257.3	256.5	256.9	256.9
47.5	220.3	219.3	221.3	234.6	234.1	233.4	252.4	239.1	240.4	240.6	227.8	225.1	225.9	227.5	232.4	244.8	244.0	244.2	244.2
50.0	208.3	206.3	205.5	217.2	220.7	221.2	237.5	225.0	226.2	223.9	212.2	211.9	213.4	215.4	215.7	228.8	231.5	231.4	231.4
52.5	193.8	193.0	192.5	195.4	205.4	205.5	222.4	210.8	211.0	200.6	198.4	199.6	199.5	200.8	202.5	209.4	216.9	214.6	214.6
55.0	179.8	178.7	178.7	179.1	190.5	190.0	205.6	194.9	195.5	182.2	183.5	185.3	186.5	186.8	188.6	189.5	201.2	194.3	194.3
57.5	163.2	163.7	162.6	163.7	172.7	174.3	188.8	178.3	178.0	166.5	168.6	169.4	170.8	171.6	173.0	173.3	179.5	178.6	178.6
60.0	140.2	138.9	146.6	146.6	151.7	157.7	169.5	160.5	158.2	150.0	151.3	146.3	145.5	150.1	157.0	156.9	161.1	163.2	163.2
62.5	123.3	121.8	123.1	129.6	129.5	139.7	149.8	142.0	134.4	133.6	129.3	127.2	127.5	130.5	137.6	137.7	139.8	146.5	146.5
65.0	107.3	106.4	105.0	109.9	112.3	119.3	127.7	122.3	115.2	114.0	109.2	111.1	111.9	113.5	115.8	119.4	120.8	127.2	127.2
67.5	86.3	85.5	88.2	89.0	93.4	97.4	104.7	99.0	96.0	92.7	92.6	91.0	90.7	96.6	98.2	100.3	102.1	106.6	106.6
70.0	68.9	67.4	68.3	71.3	73.0	78.5	82.9	79.2	75.6	74.1	72.1	71.4	72.6	75.9	78.8	79.7	83.0	89.2	89.2
72.5	51.2	50.3	51.4	51.4	52.3	55.9	62.2	58.3	55.2	54.2	53.9	52.8	54.7	58.6	58.8	61.4	66.3	69.4	69.4
75.0	34.9	33.9	35.4	34.2	35.5	37.6	42.5	38.9	37.2	35.9	37.4	37.3	38.0	41.4	42.6	44.3	46.2	51.1	51.1
77.5	21.8	21.0	21.2	20.2	21.3	22.8	25.4	23.8	22.1	21.3	22.8	22.8	24.0	26.8	26.9	28.8	31.3	34.0	34.0
80.0	11.5	10.9	10.2	10.1	10.4	11.4	12.9	11.7	10.7	10.4	11.1	11.8	12.7	14.1	14.8	16.4	18.7	20.4	20.4

article code
Azar Teyf Co.

lamp(s)
1 x LED
total flux
14205 lm
LOR
100 %
tilt angle
0.0 °



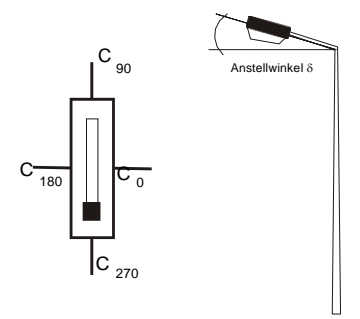
luminaire : StreetLight_LED_150W_6500K

file : STREETLIGHT_LED_150W_6500K

gamma / °	C 270	C 285	C 300	C 315	C 330	C 345
0.0	377.8	377.8	377.8	377.8	377.8	377.8
2.5	377.2	377.1	377.1	377.0	376.6	376.4
5.0	377.7	377.7	377.8	377.7	377.1	376.5
7.5	377.6	378.0	378.4	377.1	374.5	372.3
10.0	376.1	377.2	377.1	373.2	367.7	363.2
12.5	373.5	374.6	372.3	365.6	356.8	352.5
15.0	368.5	372.5	366.5	355.1	348.1	345.1
17.5	365.8	367.9	358.8	345.9	341.3	340.4
20.0	360.5	363.5	349.0	339.5	336.6	336.0
22.5	354.0	356.1	340.4	331.5	331.5	330.0
25.0	349.1	349.8	331.7	326.2	325.2	324.0
27.5	342.6	342.1	322.7	319.9	318.7	318.5
30.0	335.1	332.0	314.7	313.0	312.2	311.3
32.5	325.9	322.0	307.1	304.8	303.2	302.7
35.0	317.1	309.3	299.0	297.6	294.7	293.1
37.5	307.8	297.9	288.4	286.8	285.3	284.0
40.0	297.2	286.1	277.6	276.6	274.9	274.4
42.5	285.3	271.9	268.7	265.6	264.0	256.6
45.0	272.9	259.1	256.7	253.6	248.6	236.4
47.5	258.3	246.3	242.7	240.3	228.8	222.3
50.0	244.2	232.1	229.7	228.2	212.0	209.5
52.5	225.2	214.9	216.2	208.9	197.4	195.7
55.0	206.5	194.9	198.8	187.9	182.9	181.3
57.5	188.8	178.3	178.6	171.2	168.3	166.4
60.0	172.3	163.0	160.0	153.6	152.4	145.4
62.5	154.2	146.6	140.0	132.8	133.6	125.3
65.0	133.7	127.2	118.6	115.8	110.7	109.2
67.5	112.6	106.1	100.0	96.1	93.8	91.1
70.0	94.5	88.5	81.1	76.2	73.9	71.1
72.5	72.9	68.5	64.1	58.8	55.0	54.1
75.0	54.3	50.8	45.3	42.5	38.7	37.8
77.5	37.3	33.3	29.9	26.8	24.0	23.8
80.0	22.2	19.7	17.4	14.7	13.1	12.3

article code
Azar Teyf Co.

lamp(s)
1 x LED
total flux
14205 lm
LOR
100 %
tilt angle
0.0 °

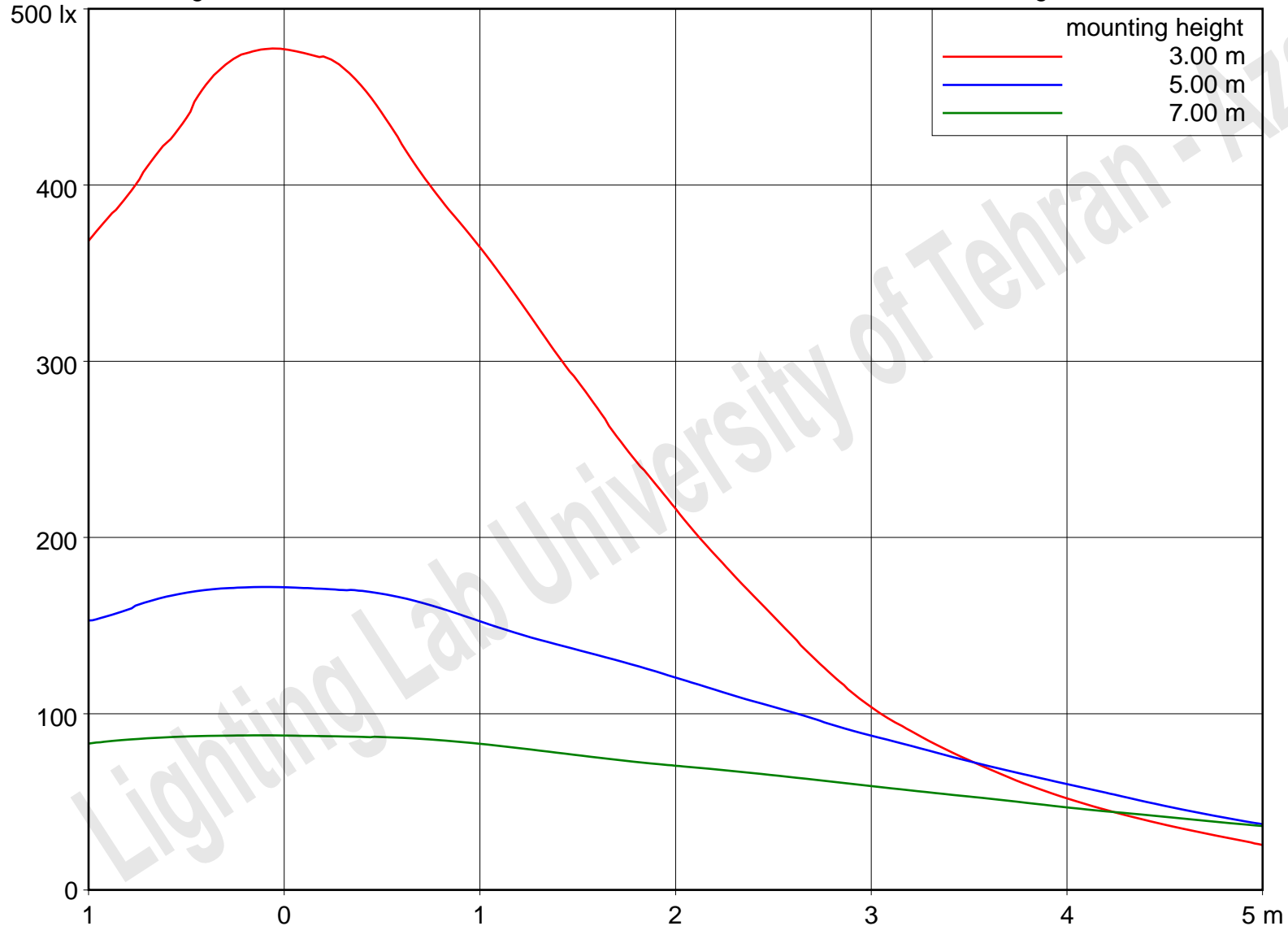


tilt angle : 0.0 °

swivel angle : 0.0 °

orientation : 0.0 °

light loss factor : 0.8



article code

Azar Teyf Co.

lamp(s)

1 x LED

total flux

14205 lm

LOR

100 %

tilt angle

0.0 °

